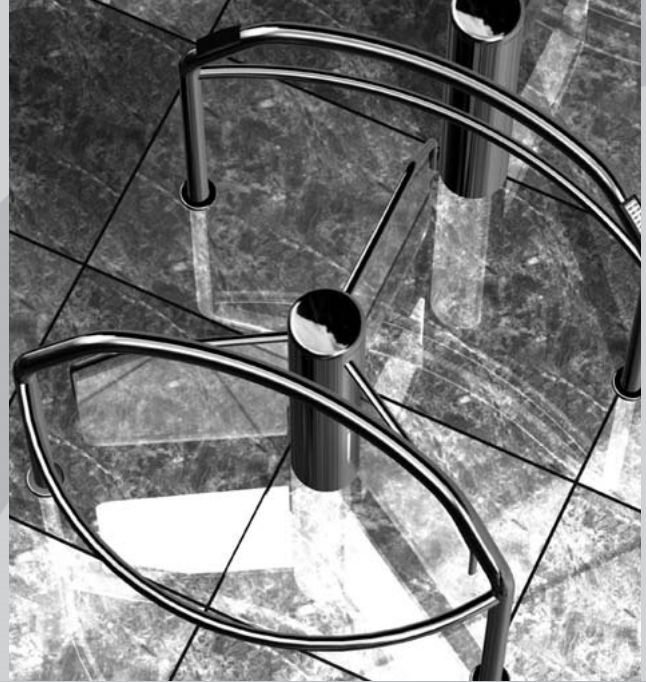


HALF HEIGHT TURNSTILE ROUND - F



Sophisticated and representative design, optimum throughput capacity and high comfort are the characteristic features of the ROUND - F turnstile. Dominant using of glass panels in construction of wings and handrail give the turnstile very transparent look. The area of application include entrance halls and lobby where style and aesthetic are the major priorities.

The ROUND - F is an electronically controlled bi-directional turnstile that automatically turns 120° in either way. With flexible setting it can achieve a maximum throughput of 20 people per minute. Typical access control configurations are card-in, card-out; card-in, free-out; card-in, locked-out.

Smooth and silent motorised drive mechanism ensure high comfort of the ROUND - F turnstile. This unit automatically set rotation speed according to a force the turnstile is pushed.

A blocking mechanism prevents from reverse rotation. Torque setting option, stopping the rotation if an obstacle is detected and adjustable slowing down of the turnstile guarantee high level of personal security.

Intelligent logic unit makes an operation of the turnstile custom flexible and ensures communication with various identification devices including remote push button control.

The turnstile ROUND-F together with the PEGAS gates create compact solution of access control system that meet security standards and ensure easy access for the handicapped.

Materials

Handrail and uprights: AISI 304 Polished Stainless Steel tube (diameter 60 mm) and 8mm curved toughened glass
 Central pillar: AISI 304 Polished Stainless Steel
 Wing: 8 mm thick clear toughened glass panels



Interface

The turnstile is controlled via the MLU 4V2 microprocessor logic unit. The standard features are as follows:

- One input for opening/closing the mechanism in each direction
- One protected input for unlocking of the turnstile in the event of an emergency
- Two multi-functional inputs ready for future purposes
- One output indicating actual status of the turnstile (BUSY signal)
- Two outputs to check completed passage through the turnstile in certain direction
- Adjustable time out facility (range from 6s to 30s) to cancel GO signal if passage through the turnstile is not completed within the time

The logic unit is protected against overloads, short circuits and polarity inversion.

Technical parameters

- Power supply: 10 to 16VDC
- Power consumption: standby 0.1A, typical 2A, peak 3A
- Operating temperature: 0°C to +50°C
- Humidity: maximum 80%

Emergency

In the event of an emergency or power failure, rotor of the turnstile would freely turn in both directions.

ACCESSORIES

Push Button Control

- Remote control of turnstile
- Remote unlocking of the turnstile

Alternative Materials, Finishes and Design

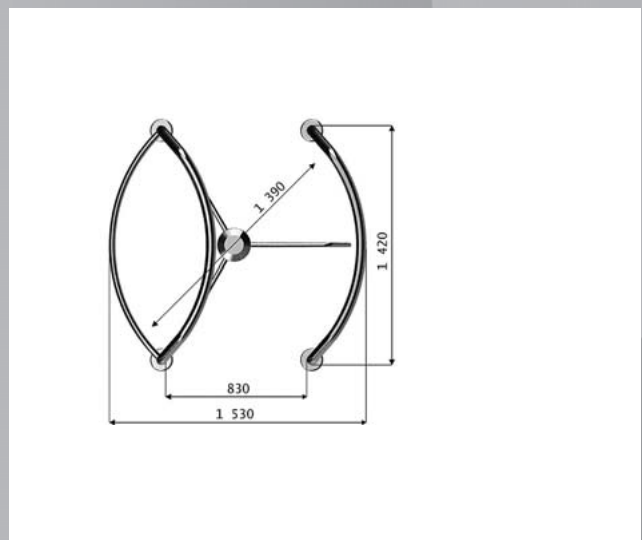
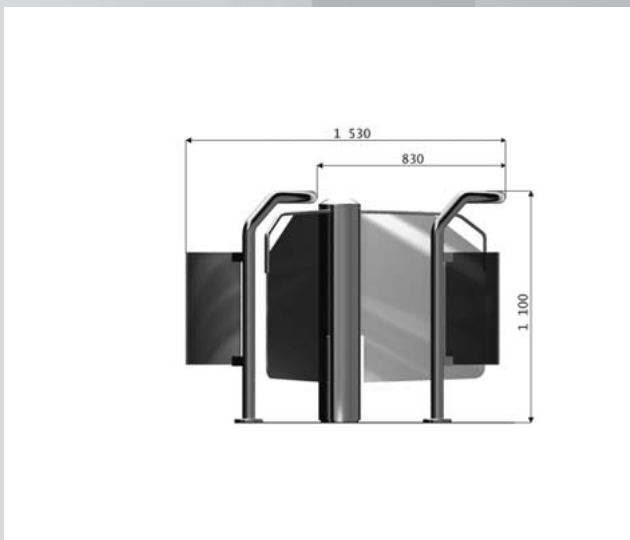
- Central pillar: Brushed Stainless Steel or Brass
- Handrail and uprights: wood, marble, granite etc. (Please contact COMINFO)
- Glass Colour - Planibel Blue ESG, Planibel Bronze ESG

Back-up battery

- Back-up battery 12VDC/15Ah maintains turnstile with motorised drive unit for at least 6 hours of continues operation

Identification systems

- Easy integration and installation of card reader devices: barcode, magnetic card, proximity card, smart card, biometrics, coin/token acceptors



 **cominfo**® a.s.

Cominfo, a.s.
Lešetín II/651
760 01 Zlín
Czech republic
Tel.: +420 577 618 240, +420 577 618 219
Fax: +420 577 618 239
E-mail: cominfo@cominfo.cz
www.cominfo.cz

