

TRIPOD TURNSTILE BAR - ST - DUO



The BAR-ST-DUO turnstile is a natural choice in environments where limited space, extremely high volume and rapid access control is required. The turnstile has got two independent tripod hubs on each side of the turnstile cabinet to double the volume of transit. Large capacity, modern and compact design, reliability and cost-effective operation together with the newest technology create from the BAR-ST turnstile an integral part of interiors and exteriors. The up-to-date electronics includes options for personalized setting of turnstile operation and ensures compatibility with identification devices.

Both walkways of the BAR-ST-DUO turnstile can be equipped with an anti-panic device, which in the event of a power failure or an emergency unlocks the arm from the horizontal position and drops the arm down to a vertical position. The result is a clear walkway on each side of the turnstile necessary for fast and easy evacuation of people.

The BAR-ST-DUO turnstile can be supplied with one of three types of the drive unit:

Electro-mechanical drive unit TE2, TE-NB

Operation of the tripod turnstile is controlled by an electro-mechanical mechanism with following standard features:

- A locking system with electromagnets that prevents two passages in one time
- A self centering mechanism to complete rotation of the turnstile into the home position
- A hydraulic shock absorber to ensure smooth and progressive slowing down operation
- A blocking mechanism that prevents from reverse rotation

Mechanical drive unit has got the same features as electro-mechanical one except there isn't a logic unit and other parts to control the turnstile. Such a turnstile is used for monitoring and directing of people.

Motorised drive unit MT

High comfort, reliable and trouble-free operation are the priorities of the BAR-ST-DUO turnstile with motorised drive unit. The standard features are:

- Effective blocking system in combination with motorised drive unit
- Automatically set rotation speed according to a force the turnstile is pushed
- Continuous monitoring to ensure high level of personal security
- Very silent and smooth operation
- Adjustable slowing down of the turnstile

Materials

Casework: Steel sheet (3mm thick) Painted Polyester Powder Coated in Antique Silber or AISI 304 Polished Stainless Steel (2mm thick)
Middle cabinet: Steel sheet (3mm thick) Painted Black Polyester Powder Coated or AISI 304 Polished Stainless Steel (2mm thick)

Tripod Hub: Steel Painted Antique Silber Polyester Powder Coated or Polished Stainless Steel

Tripod Arms: Stainless Steel tube, polished, diameter 40 mm

Anti-corrosion treatment

All internal mechanism parts has been treated against corrosion by zinc plating, thickness: mechanical parts 10 - 15mm, steel sheets 15 - 20 mm. Casing: Application of polyester powder coating or AISI 304 stainless steel sheet

Interface

The turnstile is controlled via the MLU 4V2 microprocessor logic unit. The standard features are as follows:

- One input for opening/closing the mechanism in each direction
- One protected input to control ANTI-PANIC device
- Two multi-functional inputs ready for future purposes
- One output indicating actual status of the turnstile (BUSY signal)
- Four protected outputs for communication with LED Traffic lights
- Two outputs to check completed passage through the turnstile in certain direction
- Adjustable time out facility (range from 6s to 30s) to cancel GO signal if passage through the turnstile is not completed within the time

The logic unit is protected against overloads, short circuits and polarity inversion.

Technical parameters

- Operating temperature: -30°C to +50°C
- Humidity: maximum 80%
- MCBF: 3.000.000 cycles (Mean cycle before failure)

Turnstile with electro-mechanical unit

- Power supply: 24VAC/DC, 2A (external power source included)
- Shock absorber: Hydraulic adjustable
- Electromagnet: Duty cycle 100%

Turnstile with motorised unit

- Power supply: 10 to 16VDC
- Power consumption: standby 0.1A, typical 2A, peak 3A

Operational modes

Input from card reader device or push button control will turn the turnstile 120° to access one person at the time. The turnstile can be set for different operational modes in either direction:

- Free access
- Controlled access
- Locked

Power failure

Various modes of operation are available in the event of power failure in either direction:

- Free access
- Locked

If it's equipped with ANTI-PANIC device, it will drop tripod arm automatically to create clear walkway.

ACCESSORIES

LED Traffic Light

- LED lights indicating turnstile availability for use
- LED lights giving an information about GO/STOP signal received from identification terminal

Push Button Control

- Remote control of turnstile
- Remote control of ANTI-PANIC device

ANTI-PANIC device

- In the event of a power failure or an emergency unlocks the horizontal tripod arms and drops the arm to a vertical position. The input signal is received either from fire alarm system or remote push button control or power supply source

Outdoor design

- Sealed casing for outdoor applications
- Automatic heating controlled by thermostat (necessary for turnstiles with electro-mechanical and motorised units)

Alternative Materials and Finishes

- Stainless Steel design of all parts
- Custom painted (RAL colours)

Back-up battery

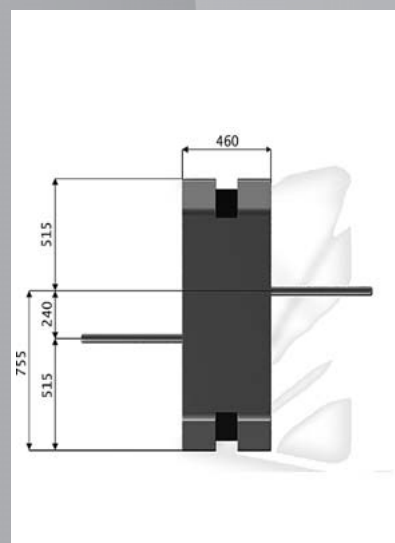
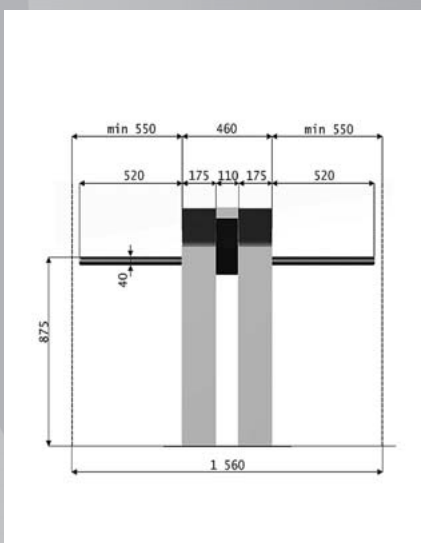
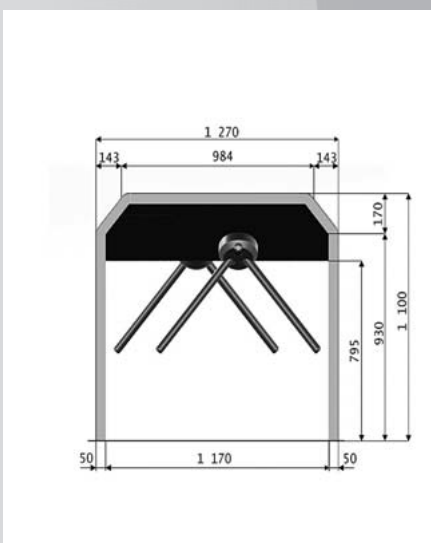
- Back-up battery 12VDC/15Ah maintains turnstile with motorised drive unit for at least 6 hours of continuous operation

Counter

- Mechanical, electro-mechanical or digital counter

Identification systems

- Easy integration and installation of card reader devices: barcode, magnetic card, proximity card, smart card, biometrics, coin/token acceptors



Cominfo, a.s.
Lešetin II/651
760 01 Zlín
Czech republic
Tel.: +420 577 618 240, +420 577 618 219
Fax: +420 577 618 239
E-mail: cominfo@cominfo.cz
www.cominfo.cz

